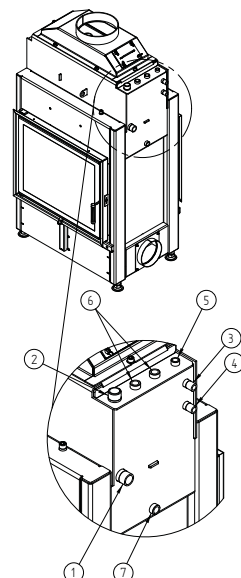


## Technical data

Technical data	operation when directly connected to chimney	
	HAKA 63/51W	
Energy label	<b>A+</b>	
<b>Operating data</b>		
Nominal heat power / Power absorbed to water	14,5 / 8,1 kW	
Efficiency	> 80 %	
Consumption of wood	4 kg/h	
Mass flow of flue gas	11 g/s	
Required chimney pressure	12 Pa	
Required amount of combustion air	35 m <sup>3</sup> /h	
<b>Average flue gas temperature</b>		
on the output	214 °C	
<b>Heat distribution</b>		
fireplace insert	13 %	
door glass (single / double)	0 / 31 %	
water	56 %	
<b>Water exchanger specifications</b>		
Maximum working pressure	2,5 bar	
Minimum return water temperature	60 °C	
Water capacity	52 liters	
Connection input / output	1" / 1"	
<b>Information for builds</b>		
Minimal grill area supply / outgoing (with vent. grill)	250 / 350 cm <sup>2</sup>	
Minimum radiant area <sup>3</sup> (without vent. grill)	suitable	
Minimum distance from insulated areas / floor	40 / 0 mm	
Reference insulation <sup>1</sup> ceiling / back wall / side wall / floor	100 / - / 60 / 0 mm	
Calciumsilicate insulation <sup>2</sup> ceiling / back wall / side wall / floor	75 / - / 45 / 0 mm	
<b>General technical information</b>		
Total weight / lining weight	circa 303 / 81 kg	
Burning chamber dimensions (width x depth)	525 x 315 mm	
Combustion air connection	Ø 150 mm	
Use in non-ventilated accumulation builds according to craft rules	suitable <sup>4</sup>	
Tested according to	EN 13229	
Meets values	1. BlmSchV (Stufe2), 15a BVG	

Nr.	Thread size	Description
1	G 1" (AG)	Water supply from heating system - min. 60 °C
2	G 1" (AG)	Hot water supply to heating system
3	G 1/2" (AG)	Water supply from the waterlines into the cooling loop
4	G 1/2" (AG)	Discharge of water from the cooling loop into the waste
5	G 3/8" (IG)	Pocket for air vent valve
6	G 1/2" (IG)	Pocket for thermal sensors
7	G 1/2" (IG)	Pocket for emptying

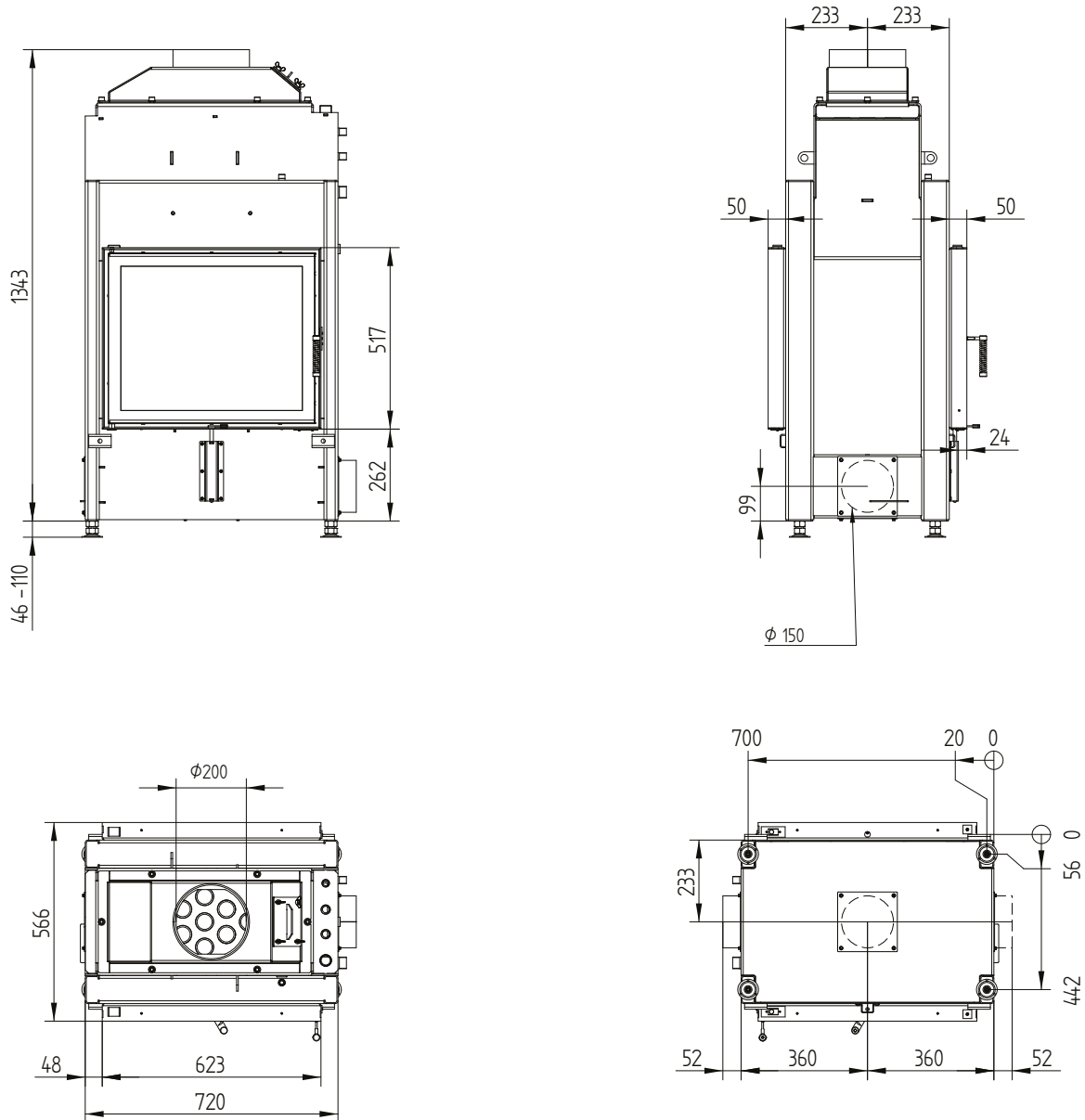
- 1 Mineral wool according to AGI-Q 132
- 2 Example SkamoEnclosure Board 225 kg/m<sup>3</sup>
- 3 Depends on accumulation period and material characteristics. Listed values calculated with average specific heat output = approx. 500 W/m<sup>2</sup>
- 4 With regard to the inspection capability and maximum ambient temperatures of the external switching devices (e.g. TAS/SV)



# HAKA 63/51WT

Technical data  
Version 09/2023

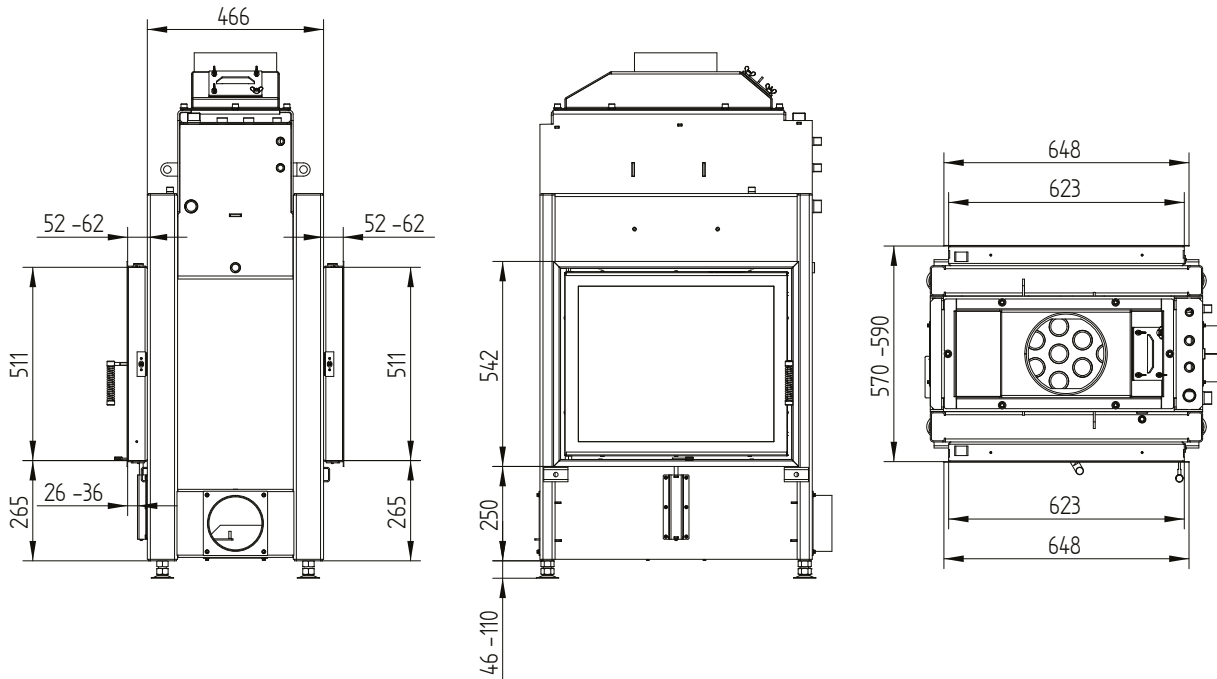
## HAKA 63/51W tunnel / air inlet / feet



# HAKA 63/51WT

Technical data  
Version 09/2023

## Cover frame 63/51 side opening 4sides 50 mm 1 x 90°



## Cover frame 63/51 side opening 4sides 80 mm 2 x 45°

