

Technical data

	operation when directly connected to chimney		operation when connected accumulation mass	
	cupola	hot air exchanger	cupola	adaptor
Energy label	A	A	A	A
Operating data				
Nominal heat power	8 kW	13 kW	----	----
Efficiency	> 80 %	> 80 %	----	----
Consumption of wood	2,5 kg/h	3,8 kg/h	6 kg	6 kg
Total heat output of the burning chamber	----	----	24 kW	24 kW
Average heat output / heat accumulation time ⁵	----	----	2,4 kW / 8 h	2,4 kW / 8 h
Mass flow of flue gas	8,1 g/s	11 g/s	20 g/s	20 g/s
Required chimney pressure	12 Pa	12 Pa	12 Pa	15 Pa
Required amount of combustion air	25 m ³ /h	35 m ³ /h	55 m ³ /h	55 m ³ /h
Average flue gas temperature				
on the output	239 °C	261 °C	408 °C	416 °C
behind 4 m of ceramic accumulation system KMS 300 ¹	----	----	171 °C	----
behind accumulation rings (5x acc. ring Ø440mm)	----	----	----	236 °C
Heat distribution				
fireplace insert	70–82 %	70–82 %	40 %	35 %
door glass (single / double)	30 / 18 %	30 / 18 %	30 / 18 %	30 / 18 %
additional accumulation mass	----	----	30–42 %	35–47 %
Information for ventilated builds				
Minimal grill area supply / outgoing	800 / 900 cm ²	1200 / 1450 cm ²	1200 / 1450 cm ²	1200 / 1450 cm ²
Minimum distance from insulated areas / floor	80 / 0 mm		80 / 0 mm	
Reference insulation ² ceiling / back wall / side wall / floor	120 / 80 / 80 / 0 mm		120 / 80 / 80 / 0 mm	
Calciumsilicate insulation ³ ceiling / back wall / side wall / floor	90 / 60 / 60 / 0 mm		90 / 60 / 60 / 0 mm	
Information for non-ventilated builds (closed grills)				
Minimum radiant area ⁴	suitable		5 m ²	
Minimum distance from insulated areas / floor	80 / 20 mm		80 / 20 mm	
Reference insulation ² ceiling / back wall / side wall / floor	160 / 100 / 100 / 20 mm		160 / 100 / 100 / 20 mm	
Calciumsilicate insulation ³ ceiling / back wall / side wall / floor	120 / 75 / 75 / 20 mm		120 / 75 / 75 / 20 mm	
General technical information				
Total weight / lining weight	circa 215 / 94 kg		circa 215 / 94 kg	
Burning chamber dimensions (width x depth)	525 x 315 mm			
Combustion air connection	Ø 125 mm			
Use in non-ventilated accumulation builds according to craft rules	suitable			
Tested according to	EN 13229			
Meets values	1. BImSchV (Stufe2), 15a BVG, NS 3059			

1 Listed value from testing. For accurate results is evaluation of each system in the Ortnr / KOV program necessary

2 Mineral wool according to AGI-Q 132

3 Example SkamoEnclosure Board 225 kg/m³

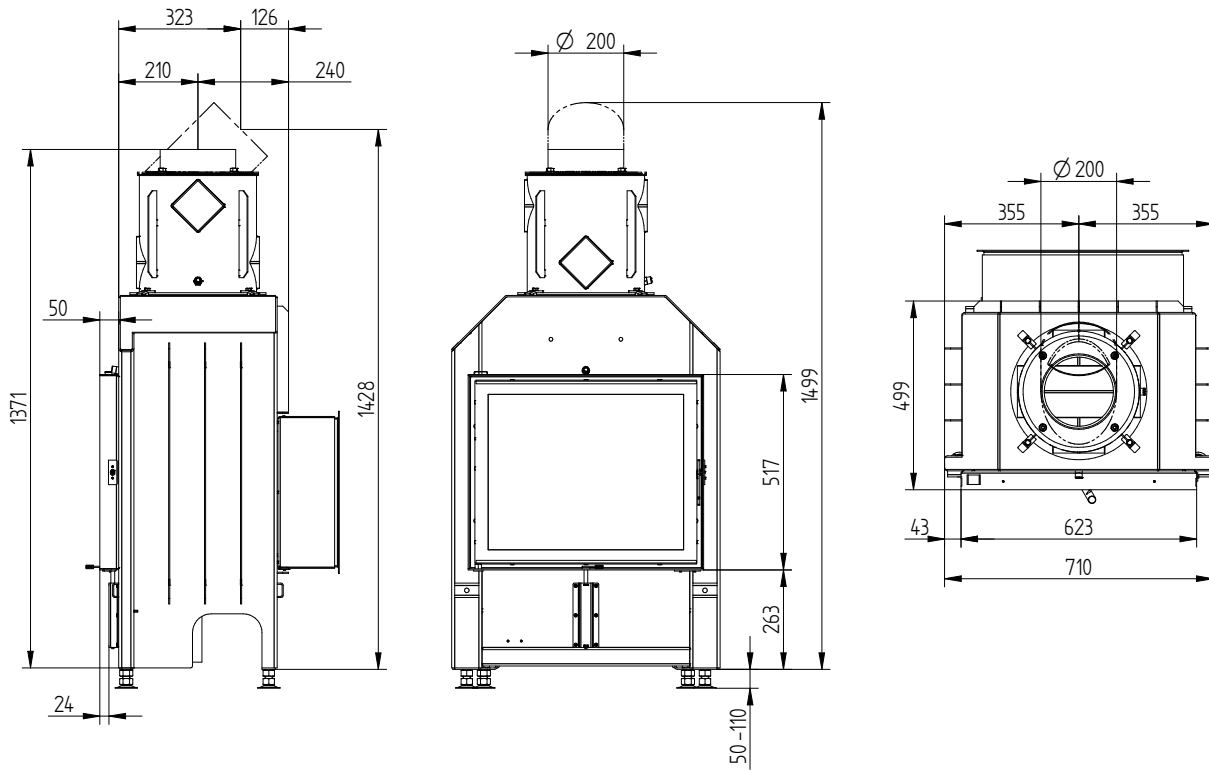
4 Depends on accumulation period and material characteristics. Listed values calculated with average specific heat output = approx. 500 W/m²

5 Storage operation, one wood charge for storage duration, with closed construction and efficiency > 80%

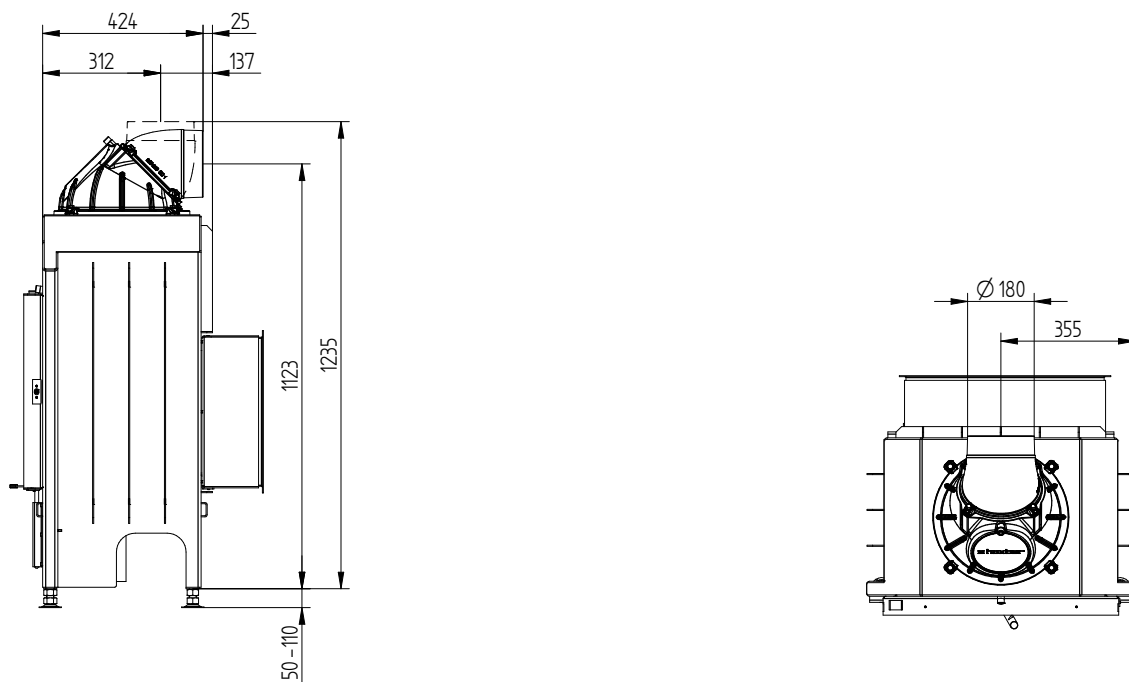
HAKA 63/51a

Technical data
Version 09/2023

HAKA 63/51a rear feeding hot air exchanger vertical / smoke outlet 45°



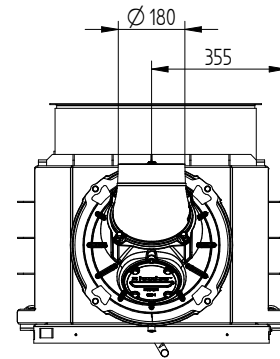
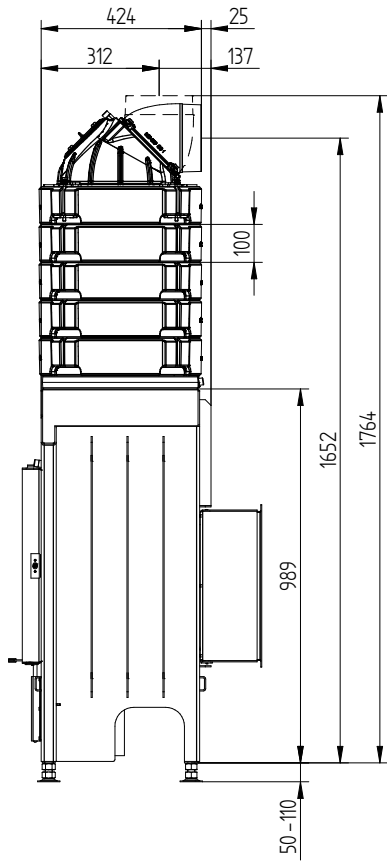
HAKA 63/51a rear feeding cupola



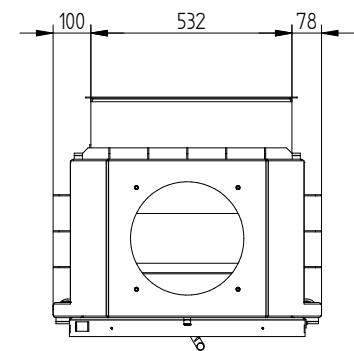
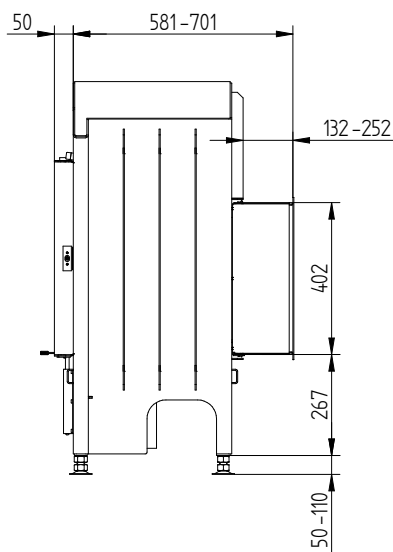
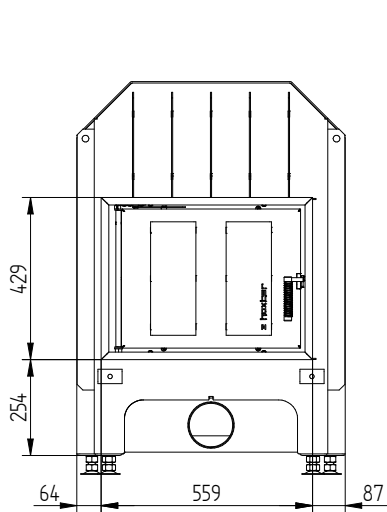
HAKA 63/51a

Technical data
Version 09/2023

HAKA 63/51a rear feeding accumulation set



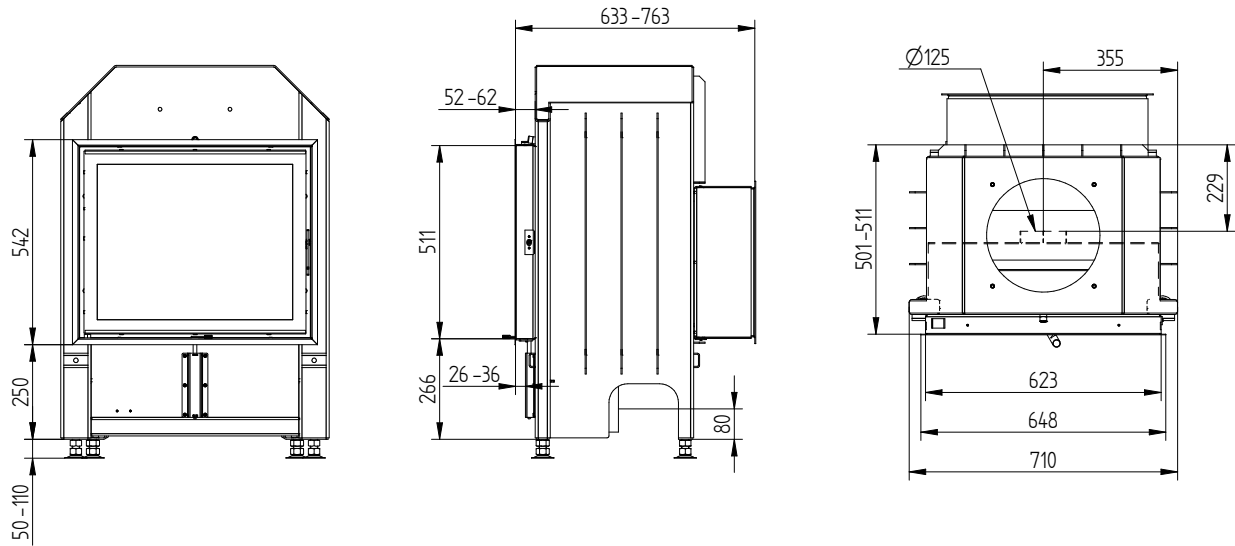
HAKA 63/51a rear feeding



HAKA 63/51a

Technical data
Version 09/2023

Cover frame 63/51 side opening 4sides 50 mm 1 x 90° / air inlet



Cover frame 63/51 side opening 4sides 80 mm 2 x 45° / feet

