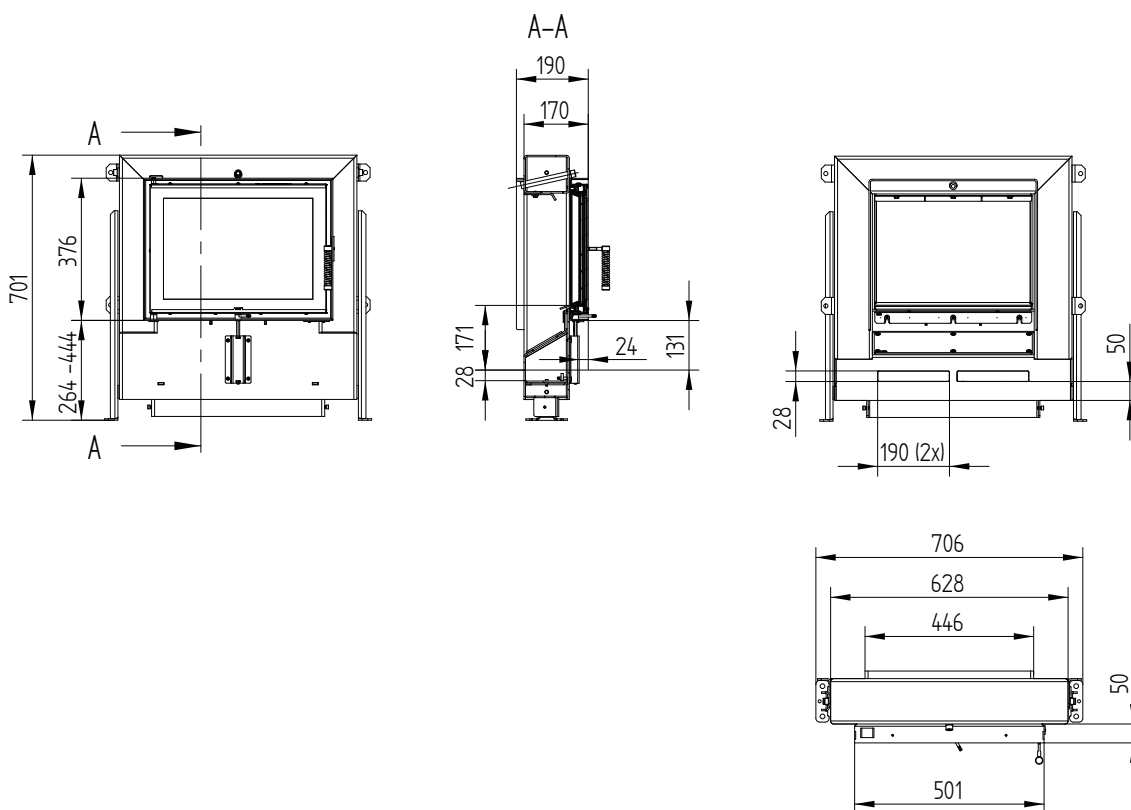


## Technical data

| General technical information           |                            |
|---|----------------------------|
| Recommended wood load                   | 12 kg                      |
| Cross section of combustion air opening | 240 cm <sup>2</sup>        |
| Optional combustion air adapter         | 2 × Ø 125 mm, 1 × Ø 180 mm |
| Pressure loss                           | -                          |
| Free glass area                         | 1 148 cm <sup>2</sup>      |

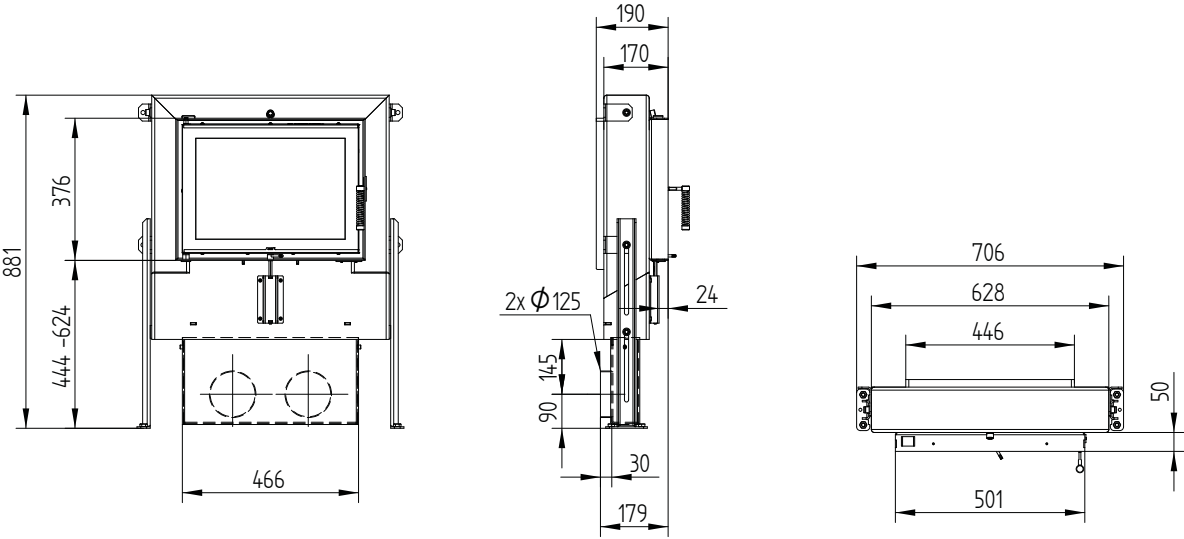
| Quantity | Volume flow             |                         | Pressure loss |
|----------|-------------------------|-------------------------|---------------|
| 5 kg     | 47,0 m <sup>3</sup> /h  | 0,013 m <sup>3</sup> /s | 2 Pa          |
| 6 kg     | 56,3 m <sup>3</sup> /h  | 0,016 m <sup>3</sup> /s | 3 Pa          |
| 7 kg     | 65,7 m <sup>3</sup> /h  | 0,018 m <sup>3</sup> /s | 4,1 Pa        |
| 8 kg     | 75,1 m <sup>3</sup> /h  | 0,021 m <sup>3</sup> /s | 5,4 Pa        |
| 9 kg     | 84,5 m <sup>3</sup> /h  | 0,023 m <sup>3</sup> /s | 7 Pa          |
| 10 kg    | 93,9 m <sup>3</sup> /h  | 0,026 m <sup>3</sup> /s | 8,8 Pa        |
| 11 kg    | 103,3 m <sup>3</sup> /h | 0,029 m <sup>3</sup> /s | 10,7 Pa       |
| 12 kg    | 112,7 m <sup>3</sup> /h | 0,031 m <sup>3</sup> /s | 12,9 Pa       |

## GT 50/37

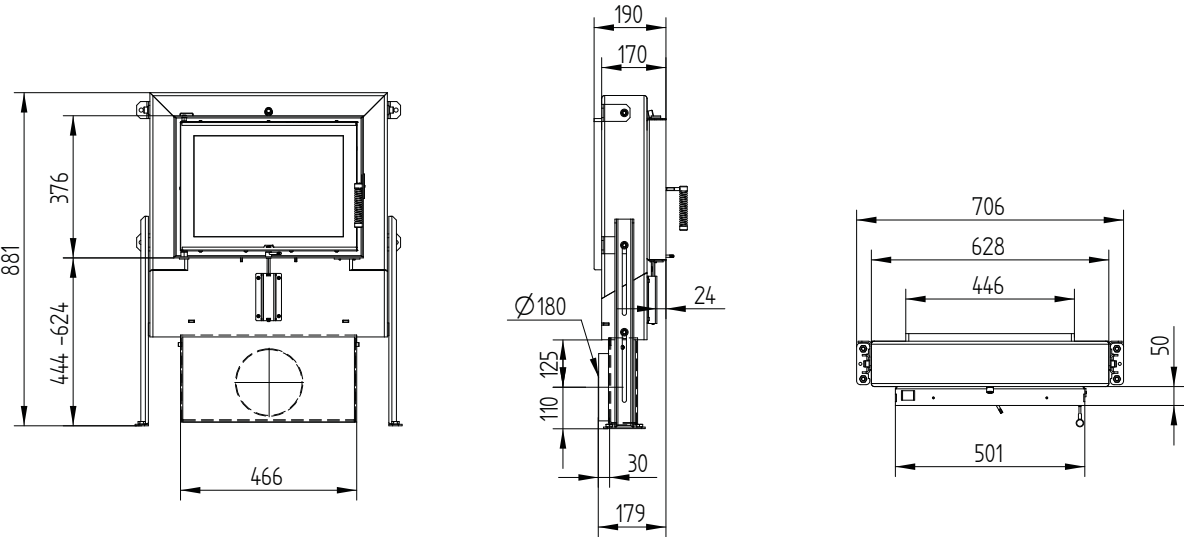


# GT 50/37

## GT 50/37 with external air connection 2 x Ø 125 mm



## GT 50/37 with external air connection 1 x Ø 180 mm

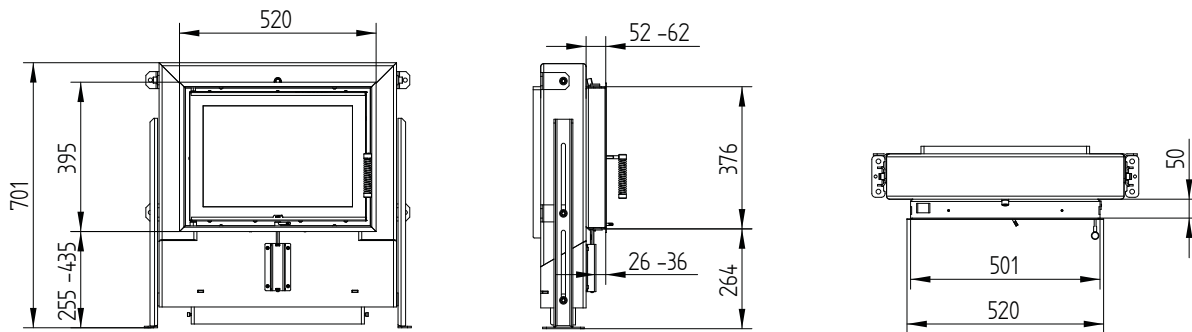


# GT 50/37

Technical data  
Version 09/2023

## GT 50/37 Cover frame 50/37 4sides 50 mm 1 x 90°

---



## Cover frame 50/37 4sides 80 mm 2 x 45°

---

