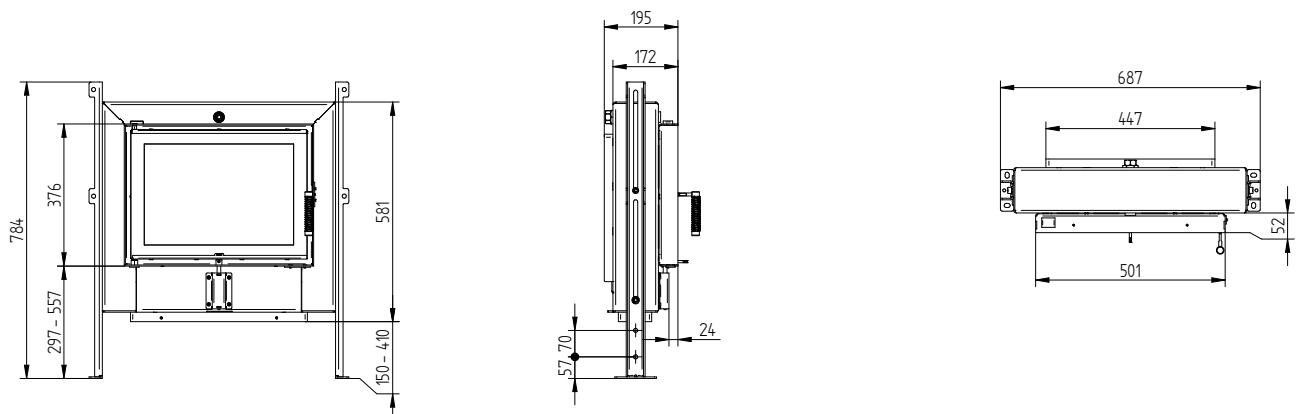


## Technical data

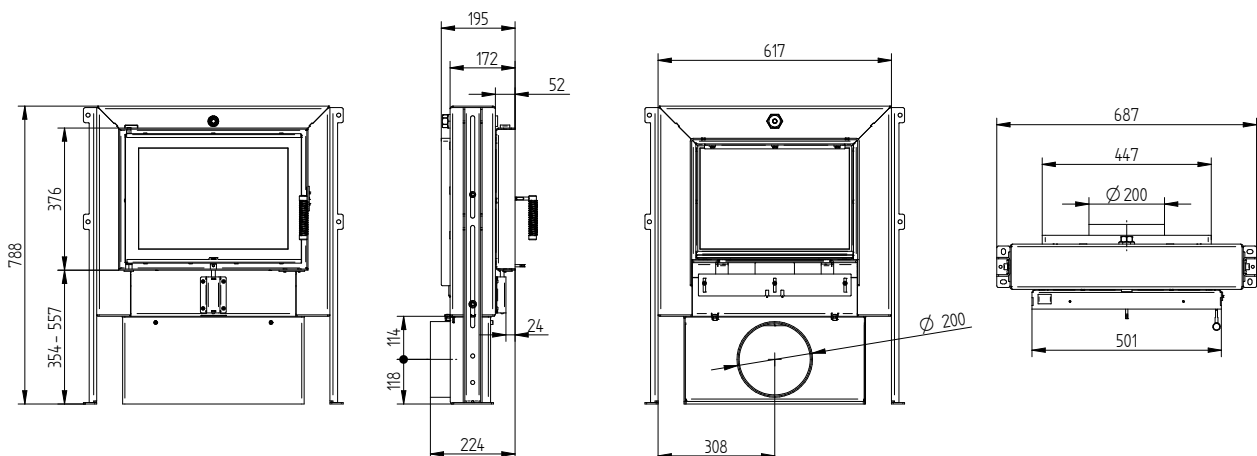
General technical information	
Recommended wood load	10 kg
Cross section of combustion air opening	172 cm <sup>2</sup>
Optional combustion air adapter	Ø 150 mm
Pressure loss	see table
Free glass area	1 148 cm <sup>2</sup>

Quantity	Volume flow		Pressure loss
10 kg	92,1 m <sup>3</sup> /h	0,026 m <sup>3</sup> /s	4,6 Pa
15 kg	138,2 m <sup>3</sup> /h	0,038 m <sup>3</sup> /s	7,7 Pa
20 kg	184,3 m <sup>3</sup> /h	0,051 m <sup>3</sup> /s	11,3 Pa
22 kg	202,8 m <sup>3</sup> /h	0,056 m <sup>3</sup> /s	14 Pa

## GT 37/50 15a with air control



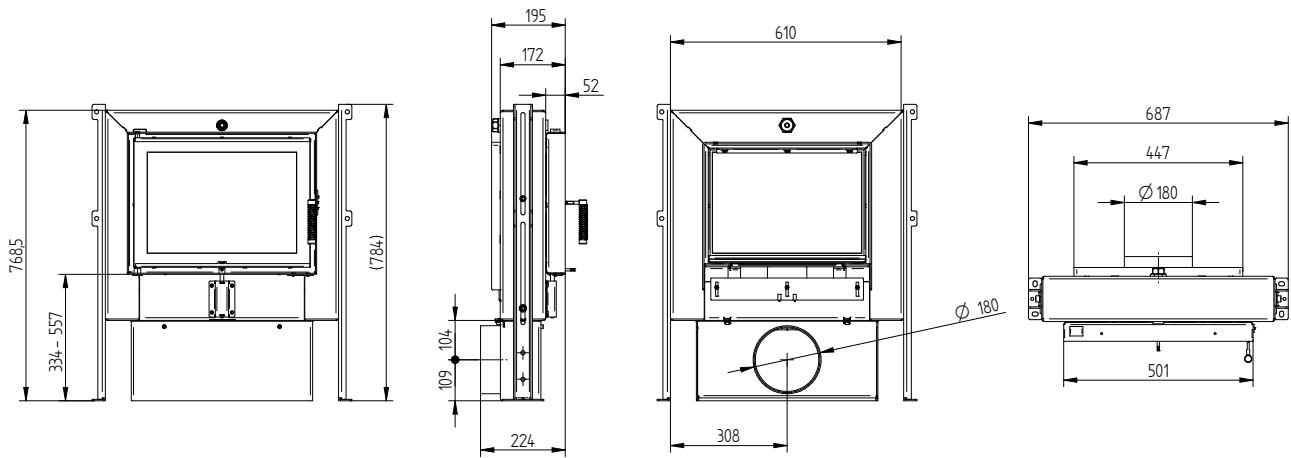
## GT 50/37 15a with air control with external air connection Ø200 mm



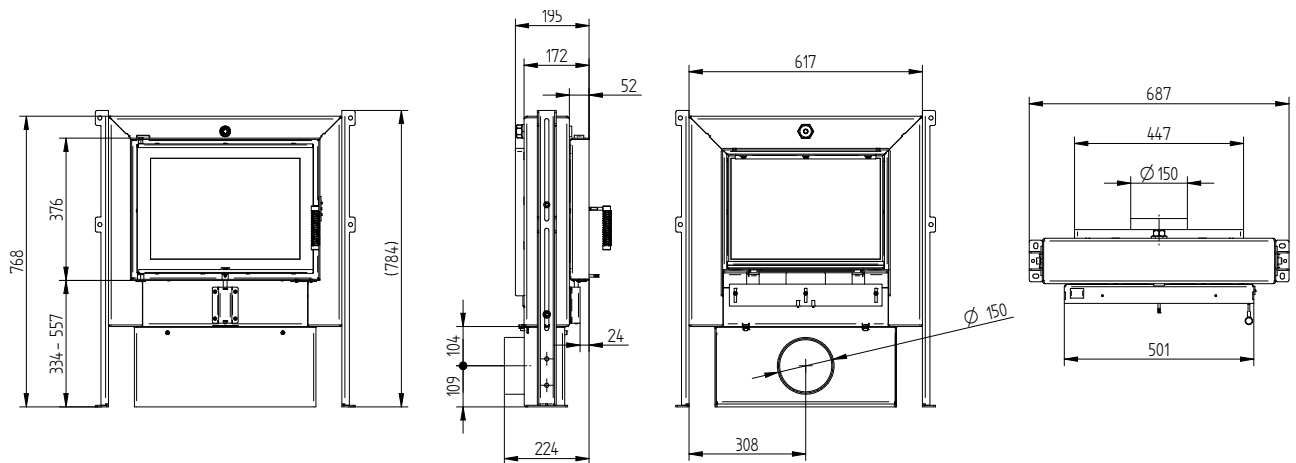
# GT 50/37 15a

Technical data  
Version 09/2023

## GT 50/37 15a with air control with external air connection $\varnothing 180$ mm



## GT 50/37 15a with air control with external air connection $\varnothing 150$ mm

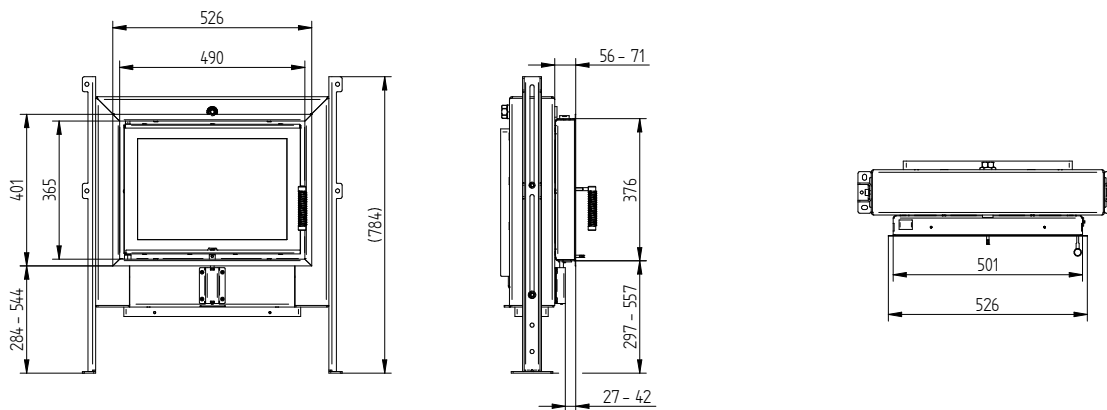


# GT 50/37 15a

Technical data  
Version 09/2023

## Cover frame GT 50/37 15a UNI 1 x 90°

---



## Cover frame GT 50/37 15a UNI 2 x 45°

---

